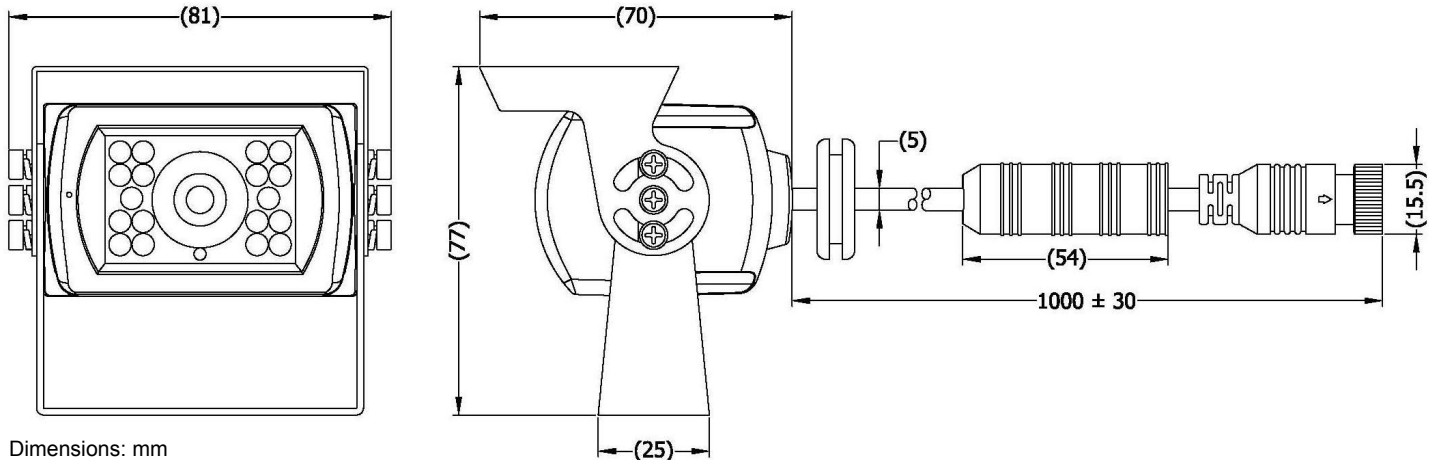


Product Specification



Brigade Model Number: VBV-700C / VBV-701C / VBV-790C / VBV-791C

Brigade Part Number: 1379C / 2575B / 2724B / 2842B



Dimensions: mm

Product Specification

Environmental Specifications:

- Shock Rating: 100 G
- Vibration Rating: 10 G
- Camera IP Rating: IP69K
- Connector IP Rating: IP67
- Operating Temperature: -20° to +70°C
- Storage Temperature: -30° to +80°C

Approved Standards:

VBV-700C / VBV-790C

- CE - (EN 61000-6-1:2007 / EN 61000-6-3:2007)
- 'E' Mark - (ECE Regulation 10 Rev 04)
(ECE Regulation 46 Rev 05 with VBV-770M/VBV-770DM, SS-002)

VBV-701C / VBV-791C

- FCC - (47 CFR Part 15 Subpart B)
- CE - (EN 61000-6-1:2007 / EN 61000-6-3:2007)

All

- Ingress Protection - (ISO 20653:2006)
- RoHS
- WEEE

Technical Specifications:

- Operating Voltage: 12 Vdc
- Current Consumption: 200mA @ 12 Vdc
- Power Consumption: 2.4 Watts @ 12 Vdc
- Imaging Devices: CCD - 1/3" Sharp
DSP - Sharp
- TV System:
VBV-700C / VBV-790C PAL
VBV-701C / VBV-791C NTSC
- Picture Elements:
VBV-700C / VBV-790C 512(H) x 582(V)
VBV-701C / VBV-791C 512(H) x 492(V)
- Visual Resolution: 420 TV Lines

Technical Specifications Continued...

- Signal to Noise Ratio: 48dB
- Required Illumination: 0 Lux (IR LED ON)
- Illumination Distance: 15 Metres
- Viewing Angle: 92° (H), 70° (V), 115° (D)
- Weight: 330 Grams
- Video Output: 1.0 Vp-p / 75Ω
- Length of Cable: 1000 ± 30mm
- Overall Dimensions:
81mm (W) x 70mm (D) x 77mm (H)
- Casing Material: Aluminium Alloy
- View: Mirror
- Finish: Black Powder Coating

Features:

- Back Light Compensation
- Automatic White Balance
- Fixed IRIS
- 18x High Power Infrared LEDs
- Integrated Day/Night Sensor
- VBV Type Connector
- High Quality Sharp CCD & DSP
- VBV-700C / VBV-701C - Integrated Microphone

Package Contents:

- 1 x VBV-70XC/79XC-C - Camera
- 1 x VBV-7/1XXC-BKT - Bracket
- 1 x VBV-7/1XXC-SS - Sunshield
- 1 x VBV-7/1XXC-FIX - Fixing Pack
- 1 x VBV-79X/70XC-IG - Installation Guide

